

NUOVI
PRODOTTI

Kellermann
high quality products made in germany



NUOVE LUCI ATTO® E ACCESSORI



WE SUPPORT THE SPORT®

WWW.PARTSEUROPE.EU

PARTS
EUROPE



ATTO® SERIES INDICATOR

- Sensationally small, spectacularly bright
- EXtranz® - Extreme Optical Transparency Technology
- Kellermann HighPower LED Technology
- Longlife Protection Guard®, IC operated, 330 kHz
- High quality metal housing
- Suitable for 12 volt DC applications
- With M5x0,5x6,5 fastening screw
- Measure: Length 14 mm, max. diameter 10 mm, glass diameter 7,8 mm
- European design protection
- Sold each

| MOUNTING POSITION | STYLE | COLOR | PART # |
|-------------------|------------------|--------|------------------|
| Front and rear | With clear glass | Chrome | 2010-1384 |
| | | Black | 2040-2126 |



ATTO® WHITE LIGHT SERIES POSITION LIGHT

- Sensationally small, spectacularly bright
- EXtranz® - Extreme Optical Transparency Technology
- Kellermann HighPower LED Technology
- Longlife Protection Guard®, IC operated, 330 kHz
- High quality metal housing
- Suitable for 12 volt DC applications
- With M5x0,5x6,5 fastening screw
- Measure: Length 14 mm, max. diameter 10 mm, glass diameter 7,8 mm
- European design protection
- Sold each

| MOUNTING POSITION | STYLE | COLOR | PART # |
|-------------------|----------------------------|--------|------------------|
| Front | With clear glass | Chrome | 2010-1385 |
| | | Black | 2010-1386 |
| | With strongly tinted glass | Black | 2010-1387 |

ATTO® RB SERIES REAR-/BRAKELIGHT

- Sensationally small, spectacularly bright
- EXtranz® - Extreme Optical Transparency Technology
- Kellermann HighPower LED Technology
- Longlife Protection Guard®, IC operated, 330 kHz
- High quality metal housing
- Suitable for 12 volt DC applications
- With M5x0,5x6,5 fastening screw
- Measure: Length 14 mm, max. diameter 10 mm, glass diameter 7,8 mm
- European design protection
- Sold each



| MOUNTING POSITION | STYLE | COLOR | PART # |
|---------------------------|----------------------------|--------|------------------|
| Rear, horizontal mounting | With clear glass | chrome | 2010-1388 |
| | | black | 2010-1361 |
| | With strongly tinted glass | black | 2010-1391 |

| MOUNTING POSITION | STYLE | COLOR | PART # |
|-------------------------|----------------------------|--------|------------------|
| Rear, vertical mounting | With clear glass | chrome | 2010-1389 |
| | | black | 2010-1390 |
| | With strongly tinted glass | black | 2010-1392 |

i.SED V6 FALSHER RELAY

- Suitable for vehicles with 5-9 volt indicator application
- Sold each

MOUNTING EXAMPLES:

- For indicators with higher wattage than original
- For indicators with higher voltage than original
- For indicators on vehicles where the ground is "plus" but not "minus" as usual

| DESCRIPTION | PART # |
|--|------------------|
| For vehicles originally equipped with 5-9 volt indicator voltage | 2020-1747 |

i.SED V12 FLASHER RELAY

- Suitable for vehicles with 12 volt indicator application
- Sold each

MOUNTING EXAMPLES:

- For indicators with higher wattage than original
- For Indicators on vehicles where the ground is "plus" but not "minus" as usual
- For "DF" products on vehicles where the indicators ground is switched but not the plus as usual

| DESCRIPTION | PART # |
|---|------------------|
| For vehicles originally equipped with 12 volt indicator voltage | 2020-1748 |



LICENSE PLATE HOLDER KH 2000

- CNC-milled
- Lightweight construction
- Included license plate light
- Many variation possibilities of indicator positioning
- Sold each

| DESCRIPTION | COLOR | PART # |
|----------------------|-------|------------------|
| License Plate Holder | Black | 2030-1374 |

BRACKET FOR LICENSE PLATE HOLDER KH 2000

- Measure: M8 x 30
- Sold each



| DESCRIPTION | COLOR | PART # |
|--------------|-------|------------------|
| Mounting Arm | Black | 2030-1377 |

RIGID MOUNTING BOLT FOR BULLET 1000 SERIES

- Measure: M8 x 20
- Sold each



| DESCRIPTION | COLOR | PART # |
|-------------|--------|------------------|
| M8 x 20 | Chrome | 2030-1378 |
| | Black | 2030-1379 |

i.LOAD IL27

- Use for Kellermann LED turn signal with original 10 watt turn signals
- When changing the original indicators to LED or Halogen the indicating frequency is automatically altered
- Adjusted for parallel switched power resistors
- Sold each



NOTE: 1 piece per turn signal.

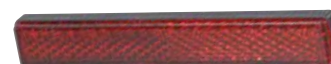
| DESCRIPTION | PART # |
|-------------|------------------|
| i.LOAD IL27 | 2040-2318 |



REFLECTOR CARRIER

- For reflector 100 mm x 13 mm
- Sold each

| DESCRIPTION | PART # |
|------------------|------------------|
| Mounting Bracket | 2030-1376 |



REFLECTOR FOR LICENSE PLATE HOLDER KH 2000

- 100 mm x 13 mm
- M5 thread bolt
- Sold each



| DESCRIPTION | PART # |
|-------------|------------------|
| Reflector | 2030-1375 |

BALL HEAD ADAPTER

- For MICRO- and RHOMBUS Series
- For angled applications 15°
- Sold each



| DESCRIPTION | COLOR | PART # |
|-------------------|-------|------------------|
| Ball Head Adapter | Black | 2040-2314 |

POSI-LOCK CABLE CONNECTOR MINI

- Splash water connections
- The cable is connection between seconds, without soldering
- Set of 5



| DESCRIPTION | PART # |
|-------------------|------------------|
| Set of 5, 19x5 mm | 2040-2319 |



i.LOAD IL1

- Provides correct function of indicator frequency when using Kellermann LED indicators
- For DF versions for Harley-Davidson® models with HD-LAN
- When changing the original indicators to LED or Halogen the indicating frequency is automatically altered
- Adjusted for parallel switched power resistors
- Sold each

| DESCRIPTION | PART # |
|--------------|------------------|
| i.LOAD - IL1 | 2040-2315 |



i.LOAD EL1

- The i.BOS systems (intelligent boxing operation system) provide a quick fix, if after the installation of the indicator the control light flashes too quick or other control lights in the cockpit function inaccurately
- i.BOS - CL1 provides correct function of the hazard light, e.g. when using DF versions for BMW RnineT
- Sold each

NOTE: 1 set for 2 indicators / 2 DF indicators (indicator, rear light, break light)

| DESCRIPTION | PART # |
|--------------|------------------|
| i.LOAD - EL1 | 2040-2316 |

i.BOS CL1

- The i.BOS systems (intelligent boxing operation system) provide a quick fix, if after the installation of the indicator the control light flashes too quick or other control lights in the cockpit function inaccurately
- i.BOS - CL1 provides correct function of the control and hazard light, e.g. when using DF versions for Harley-Davidson® models with HD-LAN
- Sold each

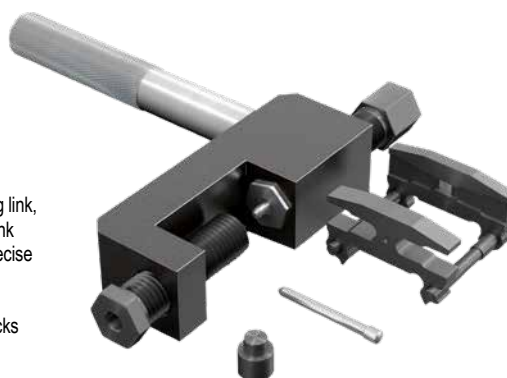
NOTE: 1 set for 2 indicators / 2 DF indicators (indicator, rear light, break light)



| DESCRIPTION | PART # |
|-------------|------------------|
| i.BOS - CL1 | 2040-2317 |

KELLERMANN CHAIN TOOL

- Chain breaking and riveting tool allows an easy removal of the worn chain and a precise assembly of the new chain with hollow rivets, so that the swingarm can stay installed
- Designed for chains of all brands (such as DID, Regina, RK etc.)
- Only a 19 mm ring or socket wrench is required for use
- Chain tool contains a patented, magnetic positioning tool for the assembly of the connecting link, which ensures simple and absolutely precise mounting of the side plate of the connecting link
- Positioning unit consists of two magnetic plates that are coupled together via a guide for precise and comfortable positioning of the connecting link parts
- Plates stick magnetically to the connecting link, for hands free to work
- By using the rivet head extension set, PART #3806-0028, this tool is suitable for full rivet locks
- Made in Germany



| DESCRIPTION | PART # |
|--------------------------------|------------------|
| Chain Rivet/Break Tool KTW 2.5 | 3806-0057 |

BOLT STOP FOR KTW 2.0 & KTW 2.5

- Applicable for KTW 2.0 and KTW 2.5
- Sold each



| DESCRIPTION | PART # |
|-------------|------------------|
| Bolt Stop | 2020-1749 |

CONVERSION PINS REPLACEMENT SET FOR KTW 2.5

- Pin punch 4xx, pin punch 5xx und 6xx
- For KTW 2.5
- Sold each



| DESCRIPTION | PART # |
|-----------------|------------------|
| Conversion Pins | 2020-1750 |

UPGRADE SET KTW 2.0 TO KTW 2.5

- Pin punch 4xx, pin punch 5xx und 6xx, fence, fixing screw, pressure screw
- Sold each



| DESCRIPTION | PART # |
|-------------|------------------|
| Upgrade Set | 2020-1751 |



ATTO® SERIES INDICATOR

- Sensationally small, spectacularly bright
- EXtranz® - Extreme Optical Transparency Technology
- Kellermann HighPower LED Technology
- Longlife Protection Guard®, IC operated, 330 kHz
- High quality metal housing
- Suitable for 12 volt DC applications
- With M5x0,5x6,5 fastening screw
- Measure: Length 14 mm, max. diameter 10 mm, glass diameter 7,8 mm
- European design protection
- Sold each

| MOUNTING POSITION | STYLE | COLOR | PART # |
|-------------------|------------------|--------|------------------|
| Front and rear | With clear glass | Chrome | 2010-1384 |
| | | Black | 2040-2126 |



ATTO® WHITE LIGHT SERIES POSITION LIGHT

- Sensationally small, spectacularly bright
- EXtranz® - Extreme Optical Transparency Technology
- Kellermann HighPower LED Technology
- Longlife Protection Guard®, IC operated, 330 kHz
- High quality metal housing
- Suitable for 12 volt DC applications
- With M5x0,5x6,5 fastening screw
- Measure: Length 14 mm, max. diameter 10 mm, glass diameter 7,8 mm
- European design protection
- Sold each

| MOUNTING POSITION | STYLE | COLOR | PART # |
|-------------------|----------------------------|--------|------------------|
| Front | With clear glass | Chrome | 2010-1385 |
| | | Black | 2010-1386 |
| | With strongly tinted glass | Black | 2010-1387 |

ATTO® RB SERIES REAR-/BRAKELIGHT

- Sensationally small, spectacularly bright
- EXtranz® - Extreme Optical Transparency Technology
- Kellermann HighPower LED Technology
- Longlife Protection Guard®, IC operated, 330 kHz
- High quality metal housing
- Suitable for 12 volt DC applications
- With M5x0,5x6,5 fastening screw
- Measure: Length 14 mm, max. diameter 10 mm, glass diameter 7,8 mm
- European design protection
- Sold each

| MOUNTING POSITION | STYLE | COLOR | PART # |
|---------------------------|----------------------------|--------|------------------|
| Rear, horizontal mounting | With clear glass | chrome | 2010-1388 |
| | | black | 2010-1361 |
| | With strongly tinted glass | black | 2010-1391 |



| MOUNTING POSITION | STYLE | COLOR | PART # |
|-------------------------|----------------------------|--------|------------------|
| Rear, vertical mounting | With clear glass | chrome | 2010-1389 |
| | | black | 2010-1390 |
| | With strongly tinted glass | black | 2010-1392 |

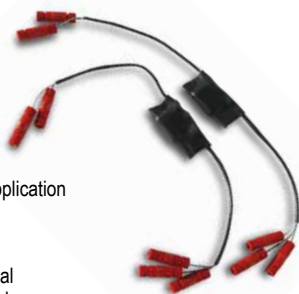
i.SED V6 FALSHER RELAY

- Suitable for vehicles with 5-9 volt indicator application
- Sold each

MOUNTING EXAMPLES:

- For indicators with higher wattage than original
- For indicators with higher voltage than original
- For indicators on vehicles where the ground is "plus" but not "minus" as usual

| DESCRIPTION | PART # |
|--|------------------|
| For vehicles originally equipped with 5-9 volt indicator voltage | 2020-1747 |



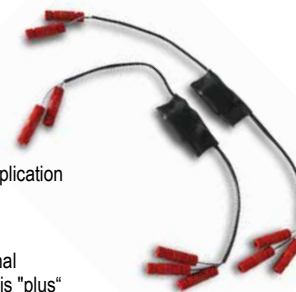
i.SED V12 FLASHER RELAY

- Suitable for vehicles with 12 volt indicator application
- Sold each

MOUNTING EXAMPLES:

- For indicators with higher wattage than original
- For Indicators on vehicles where the ground is "plus" but not "minus" as usual
- For "DF" products on vehicles where the indicators ground is switched but not the plus as usual

| DESCRIPTION | PART # |
|---|------------------|
| For vehicles originally equipped with 12 volt indicator voltage | 2020-1748 |





LICENSE PLATE HOLDER KH 2000

- CNC-milled
- Lightweight construction
- Included license plate light
- Many variation possibilities of indicator positioning
- Sold each

| DESCRIPTION | COLOR | PART # |
|----------------------|-------|------------------|
| License Plate Holder | Black | 2030-1374 |

BRACKET FOR LICENSE PLATE HOLDER KH 2000

- Measure: M8 x 30
- Sold each



| DESCRIPTION | COLOR | PART # |
|--------------|-------|------------------|
| Mounting Arm | Black | 2030-1377 |

REFLECTOR CARRIER

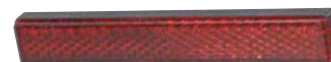
- For reflector 100 mm x 13 mm
- Sold each



| DESCRIPTION | PART # |
|------------------|------------------|
| Mounting Bracket | 2030-1376 |

REFLECTOR FOR LICENSE PLATE HOLDER KH 2000

- 100 mm x 13 mm
- M5 thread bolt
- Sold each



| DESCRIPTION | PART # |
|-------------|------------------|
| Reflector | 2030-1375 |

RIGID MOUNTING BOLT FOR BULLET 1000 SERIES

- Measure: M8 x 20
- Sold each



| DESCRIPTION | COLOR | PART # |
|-------------|--------|------------------|
| M8 x 20 | Chrome | 2030-1378 |
| | Black | 2030-1379 |

BALL HEAD ADAPTER

- For MICRO- and RHOMBUS Series
- For angled applications 15°
- Sold each



| DESCRIPTION | COLOR | PART # |
|-------------------|-------|------------------|
| Ball Head Adapter | Black | 2040-2314 |

i.LOAD IL27

- Use for Kellermann LED turn signal with original 10 watt turn signals
- When changing the original indicators to LED or Halogen the indicating frequency is automatically altered
- Adjusted for parallel switched power resistors
- Sold each



NOTE: 1 piece per turn signal.

| DESCRIPTION | PART # |
|-------------|------------------|
| i.LOAD IL27 | 2040-2318 |

POSI-LOCK CABLE CONNECTOR MINI

- Splash water connections
- The cable is connection between seconds, without soldering
- Set of 5



| DESCRIPTION | PART # |
|-------------------|------------------|
| Set of 5, 19x5 mm | 2040-2319 |



i.LOAD IL1

- Provides correct function of indicator frequency when using Kellermann LED indicators
- For DF versions for Harley-Davidson® models with HD-LAN
- When changing the original indicators to LED or Halogen the indicating frequency is automatically altered
- Adjusted for parallel switched power resistors
- Sold each

| DESCRIPTION | PART # |
|--------------|------------------|
| i.LOAD - IL1 | 2040-2315 |



i.LOAD EL1

- The i.BOS systems (intelligent boxing operation system) provide a quick fix, if after the installation of the indicator the control light flashes too quick or other control lights in the cockpit function inaccurately
- i.BOS - CL1 provides correct function of the hazard light, e.g. when using DF versions for BMW RnineT
- Sold each

NOTE: 1 set for 2 indicators / 2 DF indicators (indicator, rear light, break light)

| DESCRIPTION | PART # |
|--------------|------------------|
| i.LOAD - EL1 | 2040-2316 |

i.BOS CL1

- The i.BOS systems (intelligent boxing operation system) provide a quick fix, if after the installation of the indicator the control light flashes too quick or other control lights in the cockpit function inaccurately
- i.BOS - CL1 provides correct function of the control and hazard light, e.g. when using DF versions for Harley-Davidson® models with HD-LAN
- Sold each

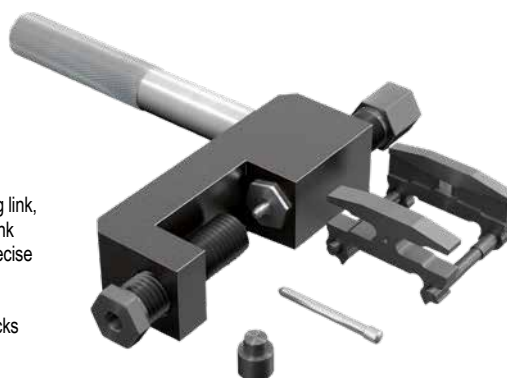
NOTE: 1 set for 2 indicators / 2 DF indicators (indicator, rear light, break light)



| DESCRIPTION | PART # |
|-------------|------------------|
| i.BOS - CL1 | 2040-2317 |

KELLERMANN CHAIN TOOL

- Chain breaking and riveting tool allows an easy removal of the worn chain and a precise assembly of the new chain with hollow rivets, so that the swingarm can stay installed
- Designed for chains of all brands (such as DID, Regina, RK etc.)
- Only a 19 mm ring or socket wrench is required for use
- Chain tool contains a patented, magnetic positioning tool for the assembly of the connecting link, which ensures simple and absolutely precise mounting of the side plate of the connecting link
- Positioning unit consists of two magnetic plates that are coupled together via a guide for precise and comfortable positioning of the connecting link parts
- Plates stick magnetically to the connecting link, for hands free to work
- By using the rivet head extension set, PART #3806-0028, this tool is suitable for full rivet locks
- Made in Germany



| DESCRIPTION | PART # |
|--------------------------------|------------------|
| Chain Rivet/Break Tool KTW 2.5 | 3806-0057 |

BOLT STOP FOR KTW 2.0 & KTW 2.5

- Applicable for KTW 2.0 and KTW 2.5
- Sold each



| DESCRIPTION | PART # |
|-------------|------------------|
| Bolt Stop | 2020-1749 |

CONVERSION PINS REPLACEMENT SET FOR KTW 2.5

- Pin punch 4xx, pin punch 5xx und 6xx
- For KTW 2.5
- Sold each



| DESCRIPTION | PART # |
|-----------------|------------------|
| Conversion Pins | 2020-1750 |

UPGRADE SET KTW 2.0 TO KTW 2.5

- Pin punch 4xx, pin punch 5xx und 6xx, fence, fixing screw, pressure screw
- Sold each



| DESCRIPTION | PART # |
|-------------|------------------|
| Upgrade Set | 2020-1751 |