

NOUVEAUX
PRODUITS

Kellermann
high quality products made in germany



NOUVEAUX PRODUITS

ÉCLAIRAGE ATTO® ET ACCESSOIRES



WE SUPPORT THE SPORT®

WWW.PARTSEUROPE.EU

PARTS
EUROPE



ATTO® SERIES INDICATOR

- Sensationally small, spectacularly bright
- EXtranz® - Extreme Optical Transparency Technology
- Kellermann HighPower LED Technology
- Longlife Protection Guard®, IC operated, 330 kHz
- High quality metal housing
- Suitable for 12 volt DC applications
- With M5x0,5x6,5 fastening screw
- Measure: Length 14 mm, max. diameter 10 mm, glass diameter 7,8 mm
- European design protection
- Sold each

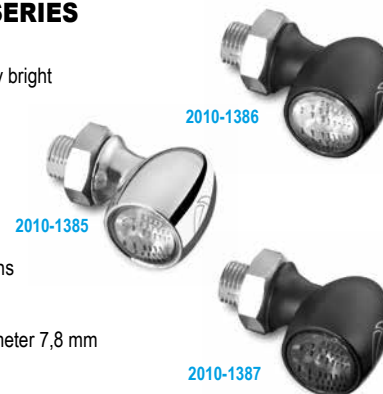


MOUNTING POSITION	STYLE	COLOR	PART #
Front and rear	With clear glass	Chrome	2010-1384
		Black	2040-2126



ATTO® WHITE LIGHT SERIES POSITION LIGHT

- Sensationally small, spectacularly bright
- EXtranz® - Extreme Optical Transparency Technology
- Kellermann HighPower LED Technology
- Longlife Protection Guard®, IC operated, 330 kHz
- High quality metal housing
- Suitable for 12 volt DC applications
- With M5x0,5x6,5 fastening screw
- Measure: Length 14 mm, max. diameter 10 mm, glass diameter 7,8 mm
- European design protection
- Sold each



MOUNTING POSITION	STYLE	COLOR	PART #
Front	With clear glass	Chrome	2010-1385
		Black	2010-1386
	With strongly tinted glass	Black	2010-1387

ATTO® RB SERIES REAR-/BRAKELIGHT

- Sensationally small, spectacularly bright
- EXtranz® - Extreme Optical Transparency Technology
- Kellermann HighPower LED Technology
- Longlife Protection Guard®, IC operated, 330 kHz
- High quality metal housing
- Suitable for 12 volt DC applications
- With M5x0,5x6,5 fastening screw
- Measure: Length 14 mm, max. diameter 10 mm, glass diameter 7,8 mm
- European design protection
- Sold each



MOUNTING POSITION	STYLE	COLOR	PART #
Rear, horizontal mounting	With clear glass	chrome	2010-1388
		black	2010-1361
	With strongly tinted glass	black	2010-1391

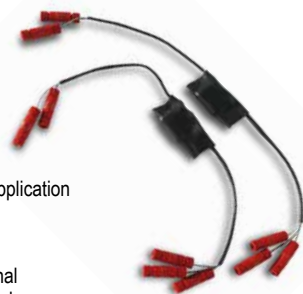
MOUNTING POSITION	STYLE	COLOR	PART #
Rear, vertical mounting	With clear glass	chrome	2010-1389
		black	2010-1390
	With strongly tinted glass	black	2010-1392

i.SED V6 FALSHER RELAY

- Suitable for vehicles with 5-9 volt indicator application
- Sold each

MOUNTING EXAMPLES:

- For indicators with higher wattage than original
- For indicators with higher voltage than original
- For indicators on vehicles where the ground is "plus" but not "minus" as usual



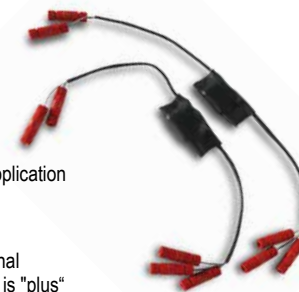
DESCRIPTION	PART #
For vehicles originally equipped with 5-9 volt indicator voltage	2020-1747

i.SED V12 FLASHER RELAY

- Suitable for vehicles with 12 volt indicator application
- Sold each

MOUNTING EXAMPLES:

- For indicators with higher wattage than original
- For Indicators on vehicles where the ground is "plus" but not "minus" as usual
- For "DF" products on vehicles where the indicators ground is switched but not the plus as usual



DESCRIPTION	PART #
For vehicles originally equipped with 12 volt indicator voltage	2020-1748



LICENSE PLATE HOLDER KH 2000

- CNC-milled
- Lightweight construction
- Included license plate light
- Many variation possibilities of indicator positioning
- Sold each

DESCRIPTION	COLOR	PART #
License Plate Holder	Black	2030-1374

BRACKET FOR LICENSE PLATE HOLDER KH 2000

- Measure: M8 x 30
- Sold each



DESCRIPTION	COLOR	PART #
Mounting Arm	Black	2030-1377

RIGID MOUNTING BOLT FOR BULLET 1000 SERIES

- Measure: M8 x 20
- Sold each



DESCRIPTION	COLOR	PART #
M8 x 20	Chrome	2030-1378
	Black	2030-1379

i.LOAD IL27

- Use for Kellermann LED turn signal with original 10 watt turn signals
- When changing the original indicators to LED or Halogen the indicating frequency is automatically altered
- Adjusted for parallel switched power resistors
- Sold each



NOTE: 1 piece per turn signal.

DESCRIPTION	PART #
i.LOAD IL27	2040-2318



REFLECTOR CARRIER

- For reflector 100 mm x 13 mm
- Sold each

DESCRIPTION	PART #
Mounting Bracket	2030-1376

REFLECTOR FOR LICENSE PLATE HOLDER KH 2000

- 100 mm x 13 mm
- M5 thread bolt
- Sold each



DESCRIPTION	PART #
Reflector	2030-1375

BALL HEAD ADAPTER

- For MICRO- and RHOMBUS Series
- For angled applications 15°
- Sold each



DESCRIPTION	COLOR	PART #
Ball Head Adapter	Black	2040-2314

POSI-LOCK CABLE CONNECTOR MINI

- Splash water connections
- The cable is connection between seconds, without soldering
- Set of 5



DESCRIPTION	PART #
Set of 5, 19x5 mm	2040-2319



i.LOAD IL1

- Provides correct function of indicator frequency when using Kellermann LED indicators
- For DF versions for Harley-Davidson® models with HD-LAN
- When changing the original indicators to LED or Halogen the indicating frequency is automatically altered
- Adjusted for parallel switched power resistors
- Sold each

DESCRIPTION	PART #
i.LOAD - IL1	2040-2315



i.LOAD EL1

- The i.BOS systems (intelligent boxing operation system) provide a quick fix, if after the installation of the indicator the control light flashes too quick or other control lights in the cockpit function inaccurately
- i.BOS - CL1 provides correct function of the hazard light, e.g. when using DF versions for BMW RnineT
- Sold each

NOTE: 1 set for 2 indicators / 2 DF indicators (indicator, rear light, break light)

DESCRIPTION	PART #
i.LOAD - EL1	2040-2316

i.BOS CL1

- The i.BOS systems (intelligent boxing operation system) provide a quick fix, if after the installation of the indicator the control light flashes too quick or other control lights in the cockpit function inaccurately
- i.BOS - CL1 provides correct function of the control and hazard light, e.g. when using DF versions for Harley-Davidson® models with HD-LAN
- Sold each

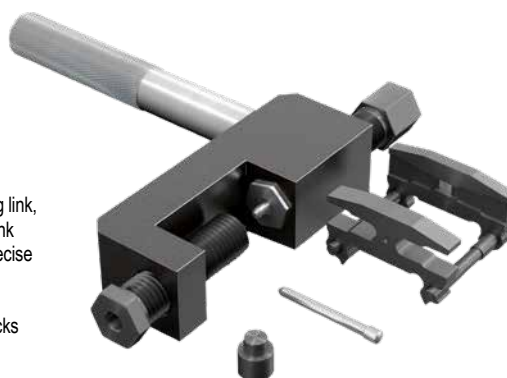
NOTE: 1 set for 2 indicators / 2 DF indicators (indicator, rear light, break light)



DESCRIPTION	PART #
i.BOS - CL1	2040-2317

KELLERMANN CHAIN TOOL

- Chain breaking and riveting tool allows an easy removal of the worn chain and a precise assembly of the new chain with hollow rivets, so that the swingarm can stay installed
- Designed for chains of all brands (such as DID, Regina, RK etc.)
- Only a 19 mm ring or socket wrench is required for use
- Chain tool contains a patented, magnetic positioning tool for the assembly of the connecting link, which ensures simple and absolutely precise mounting of the side plate of the connecting link
- Positioning unit consists of two magnetic plates that are coupled together via a guide for precise and comfortable positioning of the connecting link parts
- Plates stick magnetically to the connecting link, for hands free to work
- By using the rivet head extension set, PART #3806-0028, this tool is suitable for full rivet locks
- Made in Germany



DESCRIPTION	PART #
Chain Rivet/Break Tool KTW 2.5	3806-0057

BOLT STOP FOR KTW 2.0 & KTW 2.5

- Applicable for KTW 2.0 and KTW 2.5
- Sold each



DESCRIPTION	PART #
Bolt Stop	2020-1749

CONVERSION PINS REPLACEMENT SET FOR KTW 2.5

- Pin punch 4xx, pin punch 5xx und 6xx
- For KTW 2.5
- Sold each



DESCRIPTION	PART #
Conversion Pins	2020-1750

UPGRADE SET KTW 2.0 TO KTW 2.5

- Pin punch 4xx, pin punch 5xx und 6xx, fence, fixing screw, pressure screw
- Sold each



DESCRIPTION	PART #
Upgrade Set	2020-1751



ATTO® SERIES INDICATOR

- Sensationally small, spectacularly bright
- EXtranz® - Extreme Optical Transparency Technology
- Kellermann HighPower LED Technology
- Longlife Protection Guard®, IC operated, 330 kHz
- High quality metal housing
- Suitable for 12 volt DC applications
- With M5x0,5x6,5 fastening screw
- Measure: Length 14 mm, max. diameter 10 mm, glass diameter 7,8 mm
- European design protection
- Sold each

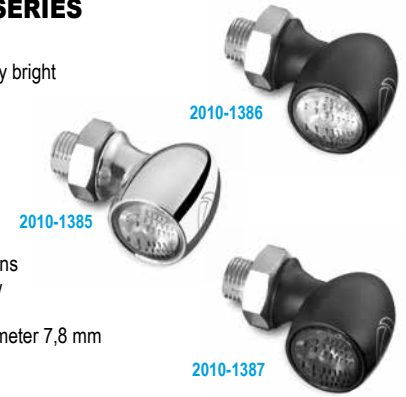


MOUNTING POSITION	STYLE	COLOR	PART #
Front and rear	With clear glass	Chrome	2010-1384
		Black	2040-2126



ATTO® WHITE LIGHT SERIES POSITION LIGHT

- Sensationally small, spectacularly bright
- EXtranz® - Extreme Optical Transparency Technology
- Kellermann HighPower LED Technology
- Longlife Protection Guard®, IC operated, 330 kHz
- High quality metal housing
- Suitable for 12 volt DC applications
- With M5x0,5x6,5 fastening screw
- Measure: Length 14 mm, max. diameter 10 mm, glass diameter 7,8 mm
- European design protection
- Sold each



MOUNTING POSITION	STYLE	COLOR	PART #
Front	With clear glass	Chrome	2010-1385
		Black	2010-1386
	With strongly tinted glass	Black	2010-1387

ATTO® RB SERIES REAR-/BRAKELIGHT

- Sensationally small, spectacularly bright
- EXtranz® - Extreme Optical Transparency Technology
- Kellermann HighPower LED Technology
- Longlife Protection Guard®, IC operated, 330 kHz
- High quality metal housing
- Suitable for 12 volt DC applications
- With M5x0,5x6,5 fastening screw
- Measure: Length 14 mm, max. diameter 10 mm, glass diameter 7,8 mm
- European design protection
- Sold each



MOUNTING POSITION	STYLE	COLOR	PART #
Rear, horizontal mounting	With clear glass	chrome	2010-1388
		black	2010-1361
	With strongly tinted glass	black	2010-1391

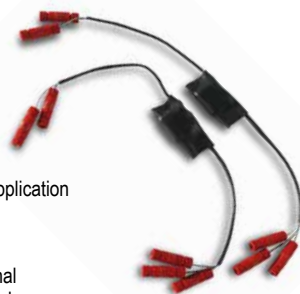
MOUNTING POSITION	STYLE	COLOR	PART #
Rear, vertical mounting	With clear glass	chrome	2010-1389
		black	2010-1390
	With strongly tinted glass	black	2010-1392

i.SED V6 FALSHER RELAY

- Suitable for vehicles with 5-9 volt indicator application
- Sold each

MOUNTING EXAMPLES:

- For indicators with higher wattage than original
- For indicators with higher voltage than original
- For indicators on vehicles where the ground is "plus" but not "minus" as usual



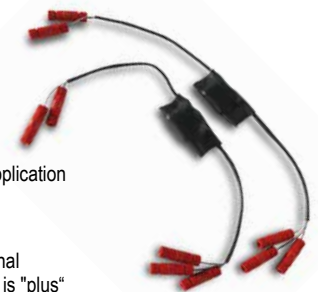
DESCRIPTION	PART #
For vehicles originally equipped with 5-9 volt indicator voltage	2020-1747

i.SED V12 FLASHER RELAY

- Suitable for vehicles with 12 volt indicator application
- Sold each

MOUNTING EXAMPLES:

- For indicators with higher wattage than original
- For Indicators on vehicles where the ground is "plus" but not "minus" as usual
- For "DF" products on vehicles where the indicators ground is switched but not the plus as usual



DESCRIPTION	PART #
For vehicles originally equipped with 12 volt indicator voltage	2020-1748



LICENSE PLATE HOLDER KH 2000

- CNC-milled
- Lightweight construction
- Included license plate light
- Many variation possibilities of indicator positioning
- Sold each

DESCRIPTION	COLOR	PART #
License Plate Holder	Black	2030-1374

BRACKET FOR LICENSE PLATE HOLDER KH 2000

- Measure: M8 x 30
- Sold each



DESCRIPTION	COLOR	PART #
Mounting Arm	Black	2030-1377

REFLECTOR CARRIER

- For reflector 100 mm x 13 mm
- Sold each



DESCRIPTION	PART #
Mounting Bracket	2030-1376

REFLECTOR FOR LICENSE PLATE HOLDER KH 2000

- 100 mm x 13 mm
- M5 thread bolt
- Sold each



DESCRIPTION	PART #
Reflector	2030-1375

RIGID MOUNTING BOLT FOR BULLET 1000 SERIES

- Measure: M8 x 20
- Sold each



DESCRIPTION	COLOR	PART #
M8 x 20	Chrome	2030-1378
	Black	2030-1379

BALL HEAD ADAPTER

- For MICRO- and RHOMBUS Series
- For angled applications 15°
- Sold each



DESCRIPTION	COLOR	PART #
Ball Head Adapter	Black	2040-2314

i.LOAD IL27

- Use for Kellermann LED turn signal with original 10 watt turn signals
- When changing the original indicators to LED or Halogen the indicating frequency is automatically altered
- Adjusted for parallel switched power resistors
- Sold each



NOTE: 1 piece per turn signal.

DESCRIPTION	PART #
i.LOAD IL27	2040-2318

POSI-LOCK CABLE CONNECTOR MINI

- Splash water connections
- The cable is connection between seconds, without soldering
- Set of 5



DESCRIPTION	PART #
Set of 5, 19x5 mm	2040-2319



i.LOAD IL1

- Provides correct function of indicator frequency when using Kellermann LED indicators
- For DF versions for Harley-Davidson® models with HD-LAN
- When changing the original indicators to LED or Halogen the indicating frequency is automatically altered
- Adjusted for parallel switched power resistors
- Sold each

DESCRIPTION	PART #
i.LOAD - IL1	2040-2315



i.LOAD EL1

- The i.BOS systems (intelligent boxing operation system) provide a quick fix, if after the installation of the indicator the control light flashes too quick or other control lights in the cockpit function inaccurately
- i.BOS - CL1 provides correct function of the hazard light, e.g. when using DF versions for BMW RnineT
- Sold each

NOTE: 1 set for 2 indicators / 2 DF indicators (indicator, rear light, break light)

DESCRIPTION	PART #
i.LOAD - EL1	2040-2316

i.BOS CL1

- The i.BOS systems (intelligent boxing operation system) provide a quick fix, if after the installation of the indicator the control light flashes too quick or other control lights in the cockpit function inaccurately
- i.BOS - CL1 provides correct function of the control and hazard light, e.g. when using DF versions for Harley-Davidson® models with HD-LAN
- Sold each

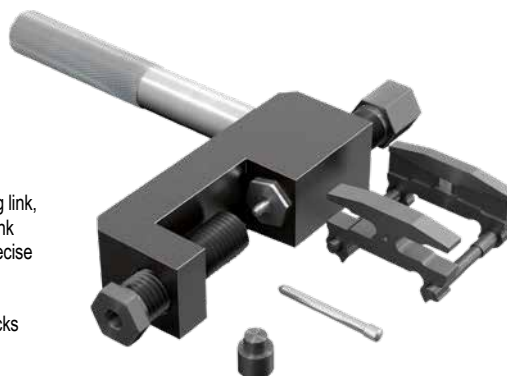
NOTE: 1 set for 2 indicators / 2 DF indicators (indicator, rear light, break light)



DESCRIPTION	PART #
i.BOS - CL1	2040-2317

KELLERMANN CHAIN TOOL

- Chain breaking and riveting tool allows an easy removal of the worn chain and a precise assembly of the new chain with hollow rivets, so that the swingarm can stay installed
- Designed for chains of all brands (such as DID, Regina, RK etc.)
- Only a 19 mm ring or socket wrench is required for use
- Chain tool contains a patented, magnetic positioning tool for the assembly of the connecting link, which ensures simple and absolutely precise mounting of the side plate of the connecting link
- Positioning unit consists of two magnetic plates that are coupled together via a guide for precise and comfortable positioning of the connecting link parts
- Plates stick magnetically to the connecting link, for hands free to work
- By using the rivet head extension set, PART #3806-0028, this tool is suitable for full rivet locks
- Made in Germany



DESCRIPTION	PART #
Chain Rivet/Break Tool KTW 2.5	3806-0057

BOLT STOP FOR KTW 2.0 & KTW 2.5

- Applicable for KTW 2.0 and KTW 2.5
- Sold each



DESCRIPTION	PART #
Bolt Stop	2020-1749

CONVERSION PINS REPLACEMENT SET FOR KTW 2.5

- Pin punch 4xx, pin punch 5xx und 6xx
- For KTW 2.5
- Sold each



DESCRIPTION	PART #
Conversion Pins	2020-1750

UPGRADE SET KTW 2.0 TO KTW 2.5

- Pin punch 4xx, pin punch 5xx und 6xx, fence, fixing screw, pressure screw
- Sold each



DESCRIPTION	PART #
Upgrade Set	2020-1751