

NEW  
PRODUCTS



# NEW PRODUCTS

## HEATED GRIPS



0631-0202



0631-0212



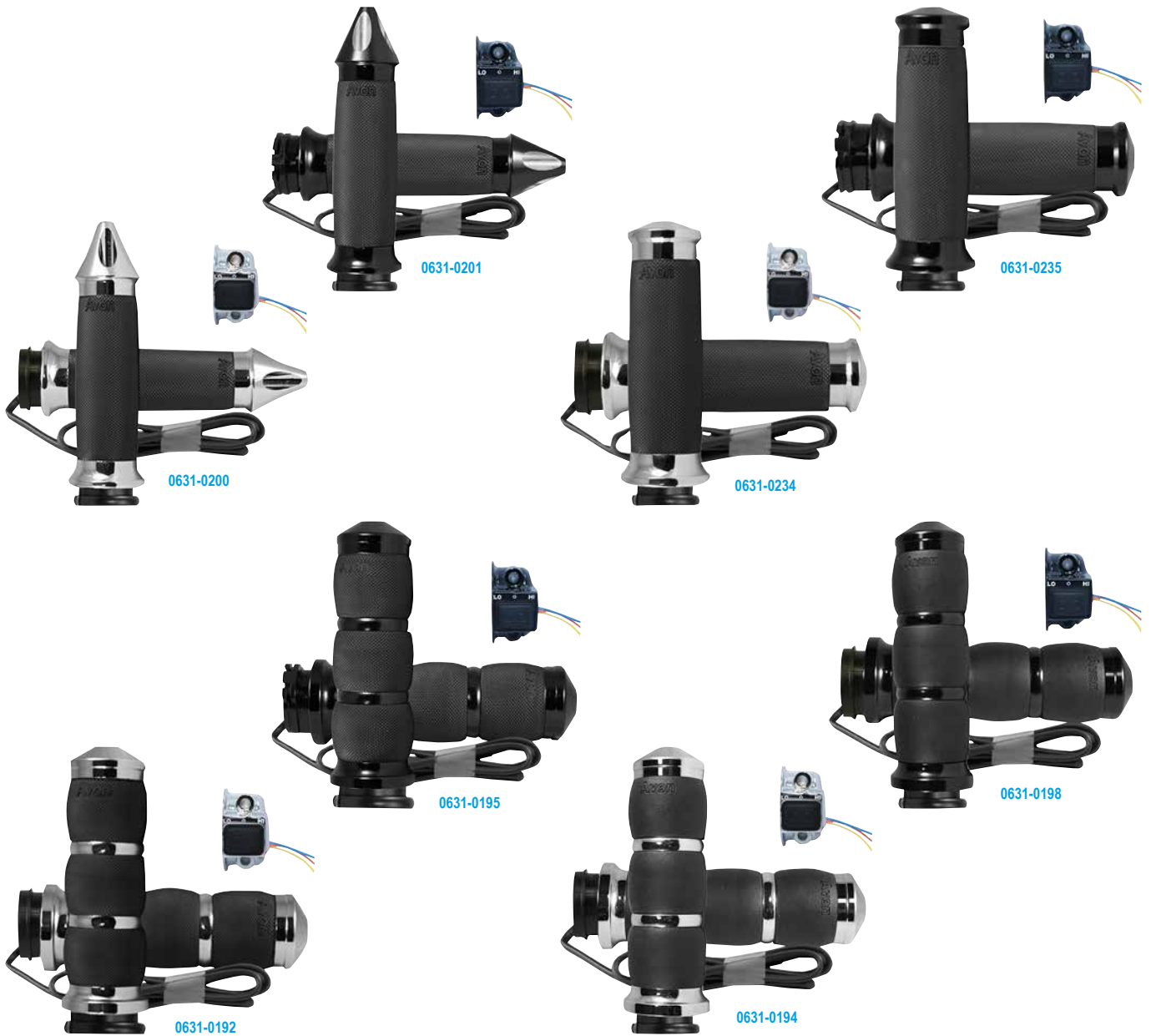
0631-0234



0631-0219

WE SUPPORT THE SPORT®

[WWW.PARTSEUROPE.EU](http://WWW.PARTSEUROPE.EU)

**FOR HARLEY-DAVIDSON**

**CUSTOM CONTOUR HEATED GRIPS**

- Made with Kraton® rubber
- Feature a soft serrated texture for superior grip
- Finished with black anodized aluminum or chrome
- Inside length is 11,5 cm (4,6")
- Sold in pairs

DESCRIPTION	PART #
FOR 08-20 FLHT/ FLHR/ FLTR/ FLHX (EXCEPT 15-20 FLTRX/ FLTRU/ FLTRK), H-D FL TRIKE, 16-20 SOFTTAILS, 16-17 FXDLS, 13-15 FXSBSE, 14-15 FLSTNSE, 11-12 FLTSE	
Custom contour spike, chrome	<b>0631-0200</b>
Custom contour spike, black anodized	<b>0631-0202</b>
Custom contour, chrome	<b>0631-0234</b>
Custom contour, black anodized	<b>0631-0236</b>
Air cushion, chrome	<b>0631-0192</b>
Air cushion, black anodized	<b>0631-0196</b>
Velvet air, cushioned	<b>0631-0194</b>
Velvet air, black anodized	<b>0631-0198</b>

DESCRIPTION	PART #
FOR 99-17 TWIN CAM AND 86-20 XL MODELS (EXCEPT 08-17 DRESSERS, H-D FL TRIKE, 16-17 SOFTTAILS, 16-17 FXDLS, 13-15 FXSBSE, 11-12 FLTSE AND MODELS W/ AIR ASSISTED FORKS)	
Custom contour spike, chrome	<b>0631-0199</b>
Custom contour spike, black anodized	<b>0631-0201</b>
Custom contour, chrome	<b>0631-0233</b>
Custom contour, black anodized	<b>0631-0235</b>
Air cushion, chrome	<b>0631-0193</b>
Air cushion, black anodized	<b>0631-0197</b>
Velvet air, cushioned	<b>0631-0195</b>
Velvet air, black chrome	<b>0631-0191</b>

 All part numbers in **BOLD BLUE** are new for this year

17.09.2021

## FOR INDIAN



0631-0212



0631-0215

### AIR CUSHIONED HEATED GRIPS

- Feature billet end caps and rings with ergonomic Avon seamless rubber grip technology
- Designed with a very soft, tacky and durable material
- Fit 25,4 mm (1") handlebars
- Available in chrome or black anodized design with or without throttle boss

DESCRIPTION	PART #
FOR 15-21 INDIAN SCOUT MODELS	
HEATED, 3-ring, chrome	<b>0631-0212</b>

DESCRIPTION	PART #
FOR 15-21 INDIAN SCOUT MODELS (CONT.)	
HEATED, 3-ring, black anodized	<b>0631-0215</b>



0631-0218



0631-0219

### CUSTOM CONTOUR HEATED GRIPS

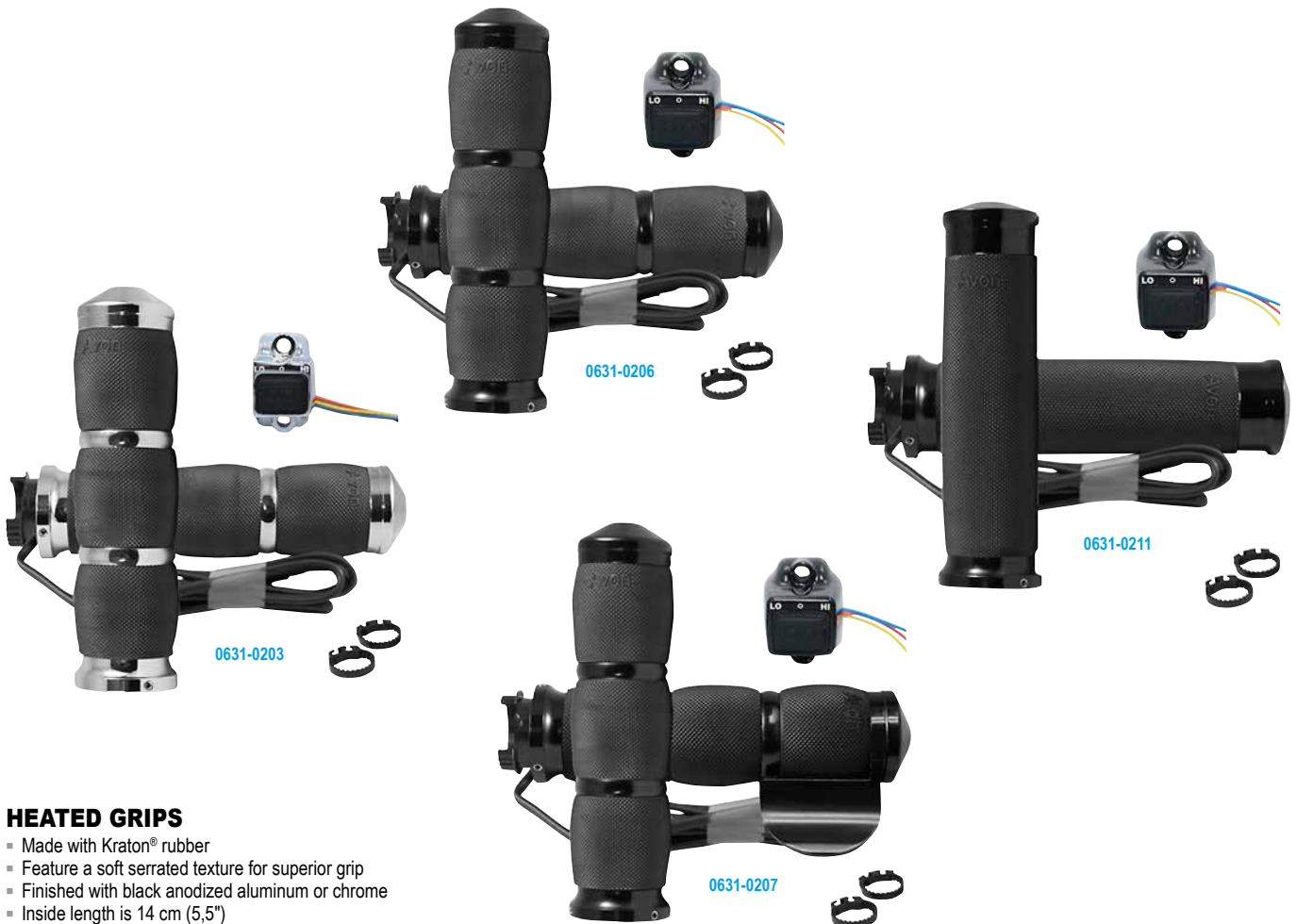
- Feature 6061 billet end caps and collars
- Designed with a very soft, tacky and durable Kraton® rubber construction
- Fit 25,4 mm (1") handlebars
- Available in chrome or black anodized design
- Sold in pairs

DESCRIPTION	PART #
FOR 15-21 INDIAN SCOUT MODELS	
Chrome	<b>0631-0218</b>

DESCRIPTION	PART #
FOR 15-21 INDIAN SCOUT MODELS (CONT.)	
Black anodized	<b>0631-0219</b>

All part numbers in **BOLD BLUE** are new for this year

17.09.2021



### HEATED GRIPS

- Made with Kraton® rubber
- Feature a soft serrated texture for superior grip
- Finished with black anodized aluminum or chrome
- Inside length is 14 cm (5,5")
- Sold in pairs

DESCRIPTION	PART #	DESCRIPTION	PART #
<b>AIR CUSHIONED</b>		<b>STANDARD</b>	
Air cushioned/metric heated, chrome	<b>0631-0203</b>	Custom touring heated grip, anodized	<b>0631-0211</b>
Air cushioned/metric heated, anodized	<b>0631-0206</b>		
Air cushioned/boss-heated, anodized	<b>0631-0207</b>		

FITS MODEL
<b>HONDA</b>
Shadow Aero 1100 98-03
Shadow Sabre 1100 00-07
Shadow Spirit 1100 97-07
Shadow Ace Tourer 1100 98-03
Shadow 750 Ace/ Aero/ Phantom, RS/ Spirit 98-17
Shadow Ace 750 98-03
Shadow 750 Aero 04-09
VT1300 (All) 10-16
VLX 600 & Deluxe 96-07
Magna 94-04
Fury 09-17
Rune 04-05
VTX 1800 (All) 02-08
VTX 1300 (All) 03-09
Valkyrie 14-15
<b>KAWASAKI</b>
Vulcan 2000 04-10
Vulcan 1700 (Including Voyager and Vaquero) 09-18
Classic 1600 03-08
Vulcan 1500 (Including Mean Streak) 87-08

FITS MODEL
<b>KAWASAKI (CONT.)</b>
Vulcan 1600 (Including Mean Streak) 03-08
Vulcan 800 95-06
Vulcan 900 06-18
<b>SUZUKI</b>
M109 & C109 06-18
Intruder LC 1500 98-04
Boulevard C90 13-18
Intruder 1400/ Boulevard S83 95-08
Intruder 800/ Boulevard S50 95-09
Volusia 800 01-04
Boulevard C50 05-18
Marauder 800 01-04
Boulevard M50 05-18
Boulevard M90 09 & 14-18
<b>TRIUMPH</b>
Adventure 96-01
America 10-16
Bonneville (Except SE) 01-17
Bonneville America 02-10
Bonneville T100 01-17

FITS MODEL
<b>TRIUMPH (CONT.)</b>
Legend 99-01
Rocket II & Touring 99-01
Speedmaster & EFI 03-16
ThruXton 900 EFI 08-17
Thunderbird 95-03
Thunderbird/ Sport 03
<b>YAMAHA</b>
Road Star (All including Warrior) 99-14
V-Star 1100 Classic 00-09
98-10 V-Star 650 Classic 98-10
V-Star 1100 Custom 99-09
V-Star 650 Custom 98-16
V-Star 1300 07-17
V-Star 950 09-17
Roadliner (All) 06-14
Stratoliner (All) 06-14
Royal Star & Venture 96-13
Raider (All) 08-17
Bolt (except C-Spec) 14-17
Stryker 11-17

All part numbers in **BOLD BLUE** are new for this year

17.09.2021